

Beekeeping School

Friday January 10 - Saturday January 11, 2003

Friday 6 - 9 / Saturday 9 - 4

Hendricks County 4H Fairgrounds Auditorium
Danville, Indiana

With the decline in natural population of honeybees due to disease and pests, we find ourselves almost completely dependent on beekeepers to provide a healthy bee population to continue the critical role of pollination on farms and in gardens.

Who can keep a beehive? Unless specifically forbidden by neighborhood covenants, most city, town and rural residents can keep a beehive without restriction. Location is important, and keeping it out of sight from the neighbors can be advisable. Avoid being a "pest." A call to your town offices can confirm if there are restrictions in your area.

Participants in this course will pay a basic tuition fee and a materials fee. During the class, a standard Langstroth beehive will be constructed and taken home for painting or staining. Seminars will cover basic beekeeping, biology of the honeybee egg/larva/adult, hive setup and location, plants that attract honeybees, feeding of honeybees, recognizing laying patterns, swarm prediction, prevention and retrieval, spring, summer and fall management, honey removal and processing, and disease and pest management. Materials fee includes a certificate for a package of bees and a queen, which will arrive in April. Class will re-assemble at this time for training on installing the package of bees.

Seminar leader & presenter: Rob Green, www.BluffwoodCreek.com

Presenters: Roger Graham, Graham's Beeworks; Lynn Bierlein, Backyard Beekeeper.



The Cooperative Extension Service of Purdue University for Hendricks County

An Affirmative Action; Equal Opportunity Employer



The Hendricks County
Master Gardeners
Association

Bluffwood Creek Honey

The following prices are tentative pending acceptance by the Hendricks County Extension Service and are given for guideline purposes only. Prices will be fixed on or before November 1.

Tuition: Covers attendance, class materials, binder, workshops. \$25.00

Required. You may audit the course for this fee and not end up with any equipment or bees.

Materials fees*

Bee Package: Typically 2 lb package of honeybees and a queen \$38.00

This is in the form of a certificate. Bees will be delivered in April with reassembled class, and a demonstration of installation will show proper technique. Class members will then take their packages home and install them.

Complete Hive & Beginner Beekeeping Kit \$142.50

Recommended. Beekeeping kit includes hive tool, boardman feeder, gloves, helmet, veil, introductory book, smoker.

Complete Hive (see back cover for illustration) \$60.00

Suitable only for people who have all the elements listed in the Beginner Beekeeping Kit above. Complete hive includes deep brood box, frames and foundation, bottom board, inner cover, telescoping (outer) cover, nails.

Garden Hive Upgrade (see back cover) \$25.00

Trade up the telescoping (outer) cover for a peaked copper-clad roof. Particularly attractive addition for the garden.

Optional Deep Broodbox or deep super \$32.00

A second story to your hive, complete with frames and foundation. In Indiana, we recommend two broodboxes to improve winter survival rates. This can be purchased and added later in the year.

*Materials fees are optional and may be subject to sales tax. Additional items may be for sale during seminar. If you wish to harvest surplus honey, you'll want to consider shallow supers.

What to bring:

Hammer (standard or lightweight). Yellow wood glue. Pen.

Finishing the hive:

We recommend a white or offwhite exterior latex over primer if painting. You can get creative with designs over this basic finish, but we recommend an overall white finish to avoid overheating in the summer. If staining, we recommend a light pigmented stain covered with durable exterior varnish. Hives are made of pine and need protection from dry rot. Only exterior surfaces and bottom board are finished. You will apply these finishes at home several weeks prior to the arrival of bees.

Some examples of tuition & materials

single story garden hive

Tuition	25.00
Complete Hive & Beginners Kit	142.50
Garden Hive Upgrade	25.00
Package of Bees	38.00
Total approximate cost	\$230.50

two single story beehives

Tuition	25.00
Complete Hive & Beginners Kit	142.50
Second complete hive	60.00
Two packages of Bees	76.00
Total approximate cost	\$303.50

two story beehive

Tuition	25.00
Complete Hive & Beginners Kit	142.50
Second Hive body	32.00
Package of Bees	38.00
Total approximate cost	\$237.50

If you already have materials

Tuition	25.00
Package of Bees	38.00
Total approximate cost	\$63.00

For more information:

www.BluffwoodCreek.com, 317.892.4921 or Hendricks County Educator Jon Cain 317.745.9260

Class size is limited. Register now for \$25 + Materials.

Make checks payable to: Purdue CES Fund

We will send you:

Final confirmation.

Materials fees not refundable after December 31, (you get your materials).

On January 10 & 11 you will bring:

Pencil, pen, notebook, lunch or snacks

Exterior wood glue (Yellow Resin Carpenter Glue)

Hammer, Carpenter Square

During the course:

You will receive your materials, and assemble them

You'll enjoy in-depth seminars on beekeeping

You'll be able to order more supplies

You'll take home your hive to prime and finish

In April we'll reassemble:

to deliver bee packages, and demonstrate installation

YES! Sign me up for the Beekeeping School!

		Qty	Amount
Name _____	Tuition:	\$25.00	_____
Address _____	Bees:	\$38.00	_____
City _____ State _____ Zip _____	Complete Hive Kit:	\$142.50	_____
Phone _____ E-mail _____	Complete Hive:	\$60.00	_____
	Garden Hive Upgrade:	\$25.00	_____
	Additional Deep box/super:	\$32.00	_____
	TOTAL		_____

Make checks payable to **PURDUE CES FUND** and mail to:

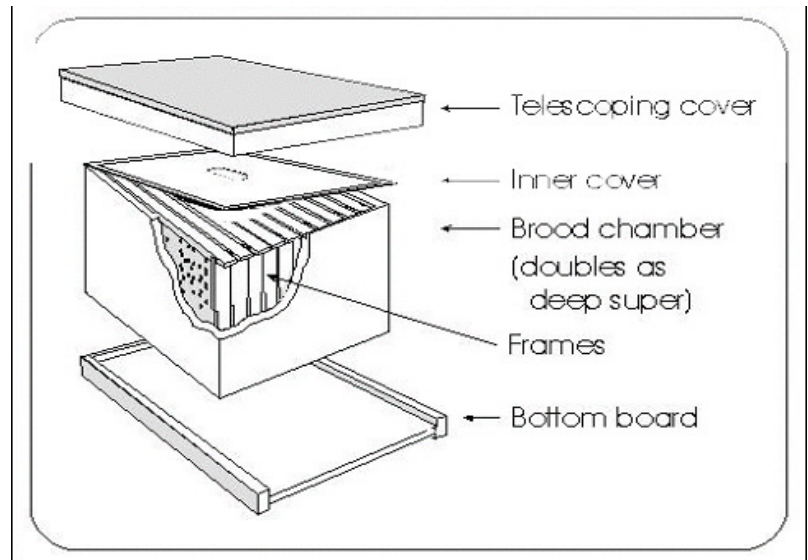
Hendricks County Extension
Beekeeping School
966 E Main St
PO Box 7
Danville IN 46122-0007



Garden hive with copperclad peaked roof, finished in light stain and exterior varnish. The peaked roof is the “garden hive upgrade in the price list”. It’s copper clad instead of a flat tin clad roof.

Components of standard hive. Outer cover is usually lined with tin for weather proofing. Exterior surfaces are primed and painted white to keep it cooler in summer.

All components include frames, wax foundation, nails.



Beekeeping School
Purdue Extension Hendricks County
955 E Main St.
PO Box 7
Danville, IN 46122-0007
317.745.9260